



FEDERAL

— B R A C E —





Counter • Vanity • Shelving • Mantel • Bench • Corbels

Born from **Short Run Pro**, Federal Brace has earned a reputation for having the highest quality support and decorative products available within the residential and commercial building sectors.

Known for innovation in both product styles and functionality, Federal Brace offers a diverse range of choices, **all proudly constructed and distributed in the USA.**

Federal Brace is excited to continue to thrive and provide quality, American Made solutions across all aspects for both home and commercial applications.

Federal Brace Core Values

- Essential Integrity - Doing things the honest way in every decision that is made.
- Focused Drive - Prioritizing what matters and making progress happen.
- Liberating Knowledge - Providing solutions to problems in an ever-changing industry.
- Innovative Thinking - Generating a constant stream of ever-evolving new ideas.
- Made in the USA - Taking pride in knowing we uphold the highest standards. American Made.

Federal Brace is trusted by some of the largest companies in the world



Featured Products



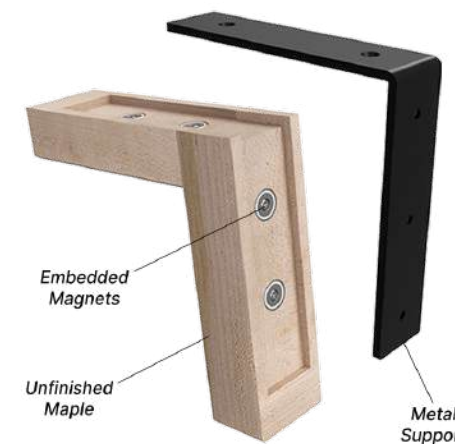
DISCREET FLOATING STORAGE FOR FAST ACCESS TO SELF-DEFENSE FIREARMS

Floating Tactical Concealment Shelves

- 3 Shelf Finishes Available
- Heavy-Duty Metal Support Bracket
- Foam Pad Included (anti-scratch)
- Installation Kit Included



A BRAND NEW FAST AND EFFECTIVE WAY TO INSTALL CORBELS FOR COUNTER OVERHANGS



Click Magnetic Corbels

- Magnetic Attachment to Metal Bracket
- Supports 375lbs of Counter Overhang
- Multiple Design Styles Available



Click it or Ticket!

Watch the Click animation here



Countertop Supports

Hidden, Low-Profile, Legs, Standoffs



COUNTER SUPPORTS
To View Our Full Product Offering, Scan QR Code

<p>Freedom Sizes: 8x2x8 (min) - 24x2x24 (max) Finishes: Black, White, Steel Carry Capacity: 375 lbs</p> 	<p>Anteris Leg Size: 6x5x34.50 Finishes: Stainless, Black Carry Capacity: 200 lbs</p> 
<p>Brunswick Sizes: 8x2x8 (min) - 24x2x24 (max) Finishes: Bronze, Stainless, Steel Carry Capacity: 500 lbs</p> 	<p>Liberty Plate Sizes: 8x3x0.25 (min) - 20x3x0.5 (max) Finishes: Black, White, Steel Carry Capacity: 375 lbs</p> 
<p>Arrowwood Sizes: 8x2x8 (min) - 24x2x24 (max) Finishes: Black, Stainless Carry Capacity: 500 lbs</p> 	<p>Harmony Size: 24x1.5x2 (L/R) Finish: Black Carry Capacity: 375 lbs</p> 
<p>Chevron Sizes: 8x2x8 (min) - 18x2x18 (max) Finishes: Stainless, Black, White, Steel Carry Capacity: 500 lbs</p> 	<p>Anthem Corner Size: 24x1.5x2 (L/R) Finish: Black Carry Capacity: 375 lbs</p> 
<p>Versa Sizes: 8x2x8 (min) - 20x2x20 (max) Finish: Black Carry Capacity: 500 lbs</p> 	<p>Foremont Size: 10x2x6 Finishes: Black, Stainless Carry Capacity: 500 lbs</p> 
<p>Braila ADA  Size: 32x2.75x31.62 Finish: Black Carry Capacity: 375 lbs</p> 	<p>Blakeney Size: 4x2x5 Finish: Steel Mist Carry Capacity: 300 lbs</p> 

Confident, USA-Made Countertop Supports

Federal Brace countertop support brackets are the ultimate combination of designer style and industry leading countertop support. With our American-made countertop brackets, you'll have peace of mind that your expensive countertop is properly supported. All of our countertop support brackets are designed and tested by our in-house engineering team and manufactured to ISO-certified quality standards.

Custom Manufacturing Options Available Via "Short Run Pro"
 (704) 825-1599 | sales@shortrunpro.com



Floating Vanity + Surface Supports

Residential, Commercial, ADA Compliant



VANITY, BENCH BRACKETS
To View Our Full Product Offering, Scan QR Code

<p>Versa Sizes: 8x2x8 (min) - 20x2x20 (max) Finish: Black Carry Capacity: 500 lbs</p>  	<p>Titus Size: 18x2x10 (L/R) Finish: Galvanized Carry Capacity: 100 lbs</p> 
<p>Metal Stud Brackets Size: 19x3x5 (min) - 19x1.75x5 (max) Finish: Black Carry Capacity: 125 lbs</p> 	<p>ADA Universal  Size: 20x1.65x20 Finish: Black Carry Capacity: 500 lbs</p> 
<p>Carolina Sizes: 10x2x10 (min) - 24x2x24 (max) Finish: Black Carry Capacity: 500 lbs</p> 	<p>Olympus ADA  Size: 22.5x6x33 Finish: Raw Steel Carry Capacity: 500 lbs</p> 
<p>Braila ADA Vanity Size: 2x16x9 Finishes: Black, Silver Carry Capacity: 500 lbs</p> 	<p>Hamмам Sizes: 20x0.75x24 (min) - 20x0.75x48 (max) Finish: Black Carry Capacity: 200 lbs</p> 
<p>Maidan Size: 18x22x7 Finish: Black Carry Capacity: 200 lbs</p> 	<p>Archer Size: 16x3x9 Finish: Black Carry Capacity: 500 lbs</p>  
<p>Sutherland Size: 18x2x18 Finish: Black Carry Capacity: 500 lbs</p> 	<p>Savona Commercial Size: 2x16x9 Finishes: Black, Silver Carry Capacity: 500 lbs</p> 

Quality Levels That Exceed Industry Standards

The Federal Brace Vanity line is designed with your needs in mind. Our craftsmanship and original designs feature corrosion-resistant materials and heavy carrying capacities. Compliance with the Americans with Disabilities Act also can be achieved with several Federal Brace Brackets, as identified with an ADA addition to the product name.

Custom Manufacturing Options Available Via **"Short Run Pro"**
 (877) 829-9293 | sales@shortrunpro.com



Floating Shelves + Tactical Concealment Systems, Innovations, Live Edge



SHELVING SYSTEMS
To View Our Full Product Offering, Scan QR Code



NEW
sizes available

<p>Porcelain Floating Shelf Size: 24x10x2.75 Finishes: White, Black Carry Capacity: 200 lbs</p> 	<p>Welded Steel Cube Cabinet Size: 17x12x12 Finish: Black (Model A/B) Carry Capacity: 200 lbs</p> 
<p>Classic Floating Shelf Sizes: 24x10 (min) - 40x10 (max) Finishes: Coffee, White, Stainless Carry Capacity: 200 lbs</p> 	<p>Concealed Storage Floating Shelf Size: 6.5x8.5x2.75 Finishes: White, Coffee, Paint Grade Carry Capacity: 50 lbs</p>  <p>NEW</p>
<p>Low Profile Floating Shelf Size: 24x10x2 Finish: White Carry Capacity: 50 lbs</p> 	<p>Mini Classic Floating Shelf Size: 6x6x2.12 Finishes: White Carry Capacity: 50 lbs</p>  <p>NEW</p>
<p>Maple Live Edge Floating Shelf Size: 24x12x2.25 Finish: Maple Carry Capacity: 200 lbs</p> 	<p>Hickory Live Edge Floating Shelf Size: 24x12x2.25 Finish: Hickory Carry Capacity: 200 lbs</p> 
<p>Sycamore Live Edge Floating Shelf Size: 24x12x2.25 Finish: Sycamore Carry Capacity: 200 lbs</p> 	<p>Pine Live Edge Floating Shelf Size: 24x12x2.25 Finish: Pine Carry Capacity: 200 lbs</p> 
<p>Elm Live Edge Floating Shelf Size: 24x12x2.25 Finish: Elm Carry Capacity: 200 lbs</p> 	<p>Walnut Live Edge Floating Shelf Size: 24x12x2.25 Finish: Walnut Carry Capacity: 200 lbs</p> 

<p>Floating Tactical Concealment Shelf Size: 13.25x7x2.75 Finishes: White, Coffee, Paint Grade Carry Capacity: 50 lbs</p>  <p>NEW</p>	<p>Teak Floating Shelf Sizes: 24x10x2.75 (min) - 40x10x2.75 (max) Finish: Teak Carry Capacity: 200 lbs</p>  <p>NEW</p>
--	---

Engineered to Work with Confidence

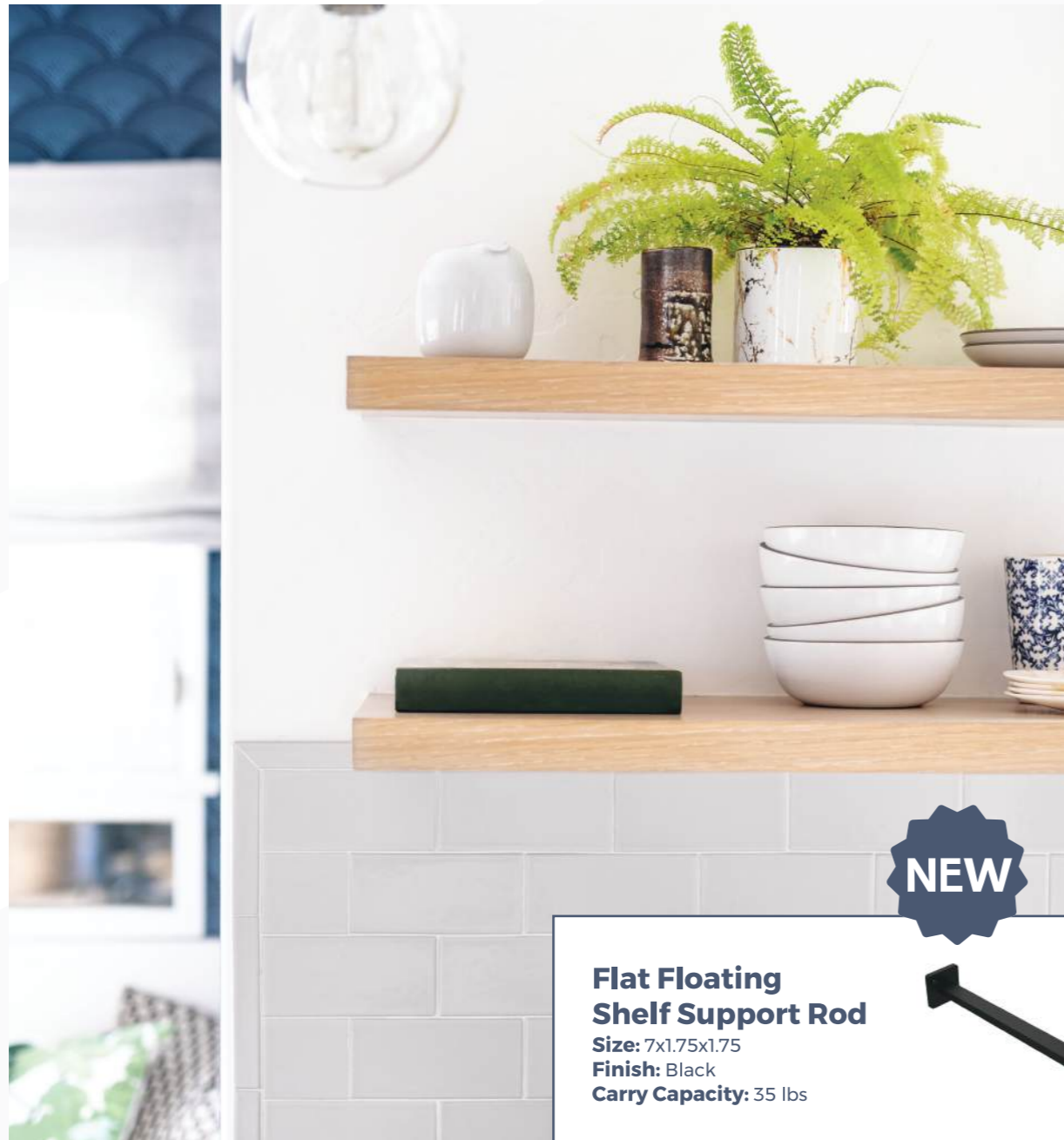
Our curated collection of shelving solutions help achieve the cohesive and polished look you desire. Transform rooms with thoughtfully designed shelving components finished in the highest quality you've come to expect from Federal Brace. These timeless, authentic shelving solutions have limitless application options for your unique space with the trusted support and industry leading carry capacities.

Custom Manufacturing Options Available Via "Short Run Pro"
(877) 829-9293 | sales@shortrunpro.com



Floating Shelf + Mantel Hardware

Hidden, Heavy-Duty, Decorative



NEW

Flat Floating Shelf Support Rod
 Size: 7x1.75x1.75
 Finish: Black
 Carry Capacity: 35 lbs



Elegant Support Solutions

Innovative at the forefront, our shelf and mantel brackets are the perfect solution for supporting your decorative wall pieces anywhere in your home. Federal Brace brackets easily tie into your stud walls with options also available to go on post-drywall. Whether you're looking to achieve a minimal or a more decorative look, we have the mounting brackets to exceed your needs.



FLOATING HARDWARE
 To View Our Full Product Offering, Scan QR Code

<p>Floating Shelf Bracket Sizes: 8x16.75 (min) - 8x34.5 (max) Finish: Black Carry Capacity: 200 lbs</p> 	<p>Support Rod Bracket Sizes: 6x22.5x1.5 (min) - 10x22.5x1.5 (max) Finish: Steel Carry Capacity: 150-250 lbs</p> 
<p>Hidden Shelf Bracket Size: 8x2x1.65 Finishes: Black, Galvanized Carry Capacity: 50 lbs</p> 	<p>Universal Shelf System Size: 2x12.5x29 Finish: Black Carry Capacity: 200 lbs</p> 
<p>Accent Floating Shelf Bracket Size: 6x27.5x5 Finishes: Black Carry Capacity: 150 lbs</p> 	<p>Stud Mounted Shelf Rod Sizes: 8x2x4 (min) - 12x2x4 (max) Finish: Steel Carry Capacity: 100 lbs</p> 
<p>Modern Bracket Size: 8x2.7x3 Finish: Black Carry Capacity: 450 lbs</p> 	<p>Floating Mantel Bracket Sizes: 4.5x58 (min) - 6.5x46 (max) Finish: Black Carry Capacity: 200 lbs</p> 
<p>Blue Ridge Size: 4.75x5.5x6.75 Finish: Black + Maple Carry Capacity: 375 lbs</p> 	<p>Appalachian Sizes: 6x5x6 (min) - 8x5x8 (max) Finish: Black Carry Capacity: 375 lbs</p> 
<p>Stud Mantel Rod Size: 8x0.75x4.50 Finish: Steel Carry Capacity: 150 lbs</p> 	<p>Floating Mantel Rod Size: 6x1.5x2.5 Finish: Steel Carry Capacity: 150 lbs</p> 

Custom Manufacturing Options Available Via "Short Run Pro"
 (877) 829-9293 | sales@shortrunpro.com



Mantel Kits + Corbels + The CLICK

Hidden, Heavy-Duty, Decorative



MANTEL KITS
To View Our Full Product Offering, Scan QR Code



Click Magnetic Corbels
Size: 10x3x10
Finishes: Maple w/ Click System
Carry Capacity: 375 lbs



<p>Porcelain Floating Mantels Size: 60x6x6 Finishes: White Marble, Black Marble Carry Capacity: 100 lbs</p> 	<p>Floating Fireplace Mantel Kits Sizes: 48x6x6 (min) - 60x6x6 (max) Finishes: Grey, Arctic Carry Capacity: 100 lbs</p> 
<p>Teak Fireplace Mantel Kits Size: 48x6x6 (min) - 60x6x6 (max) Finishes: Teak Carry Capacity: 100 lbs</p> 	<p>Wood Bar Bracket Size: 8x3x12 Finish: Maple Carry Capacity: 375 lbs</p> 
<p>Brookdale Size: 10x3x12 Finish: Maple Carry Capacity: 375 lbs</p> 	<p>Stanley Size: 10x3x12 Finish: Maple Carry Capacity: 375 lbs</p> 
<p>Cumberland Size: 12x3x12 Finish: Maple Carry Capacity: 375 lbs</p> 	<p>Lexington Size: 10x3x10 Finish: Maple Carry Capacity: 375 lbs</p> 
<p>Corbel Mount System Size: 4x1x2.5 Finish: Galvanized Carry Capacity: Decorative Only</p> 	<p>Corbel Rib Support Sizes: 6x2x6 (min) - 12x2x12 (max) Finish: Black Carry Capacity: 375 lbs</p> 
<p>Mission Size: 6x3x14 Finish: Maple Carry Capacity: Decorative Only</p> 	<p>Lexington Bar Size: 6.56x3x12.75 Finish: Maple Carry Capacity: Decorative Only</p> 

Dependable Innovations To Complete Your Projects

Beautiful products that are economically designed with the quality level you have come to expect from Federal Brace. Combining wood, metal, and magnets, the Click Magnetic Corbel offers a unique blend of aesthetic appeal and functional design.

Custom Manufacturing Options Available Via "Short Run Pro"
(877) 829-9293 | sales@shortrunpro.com



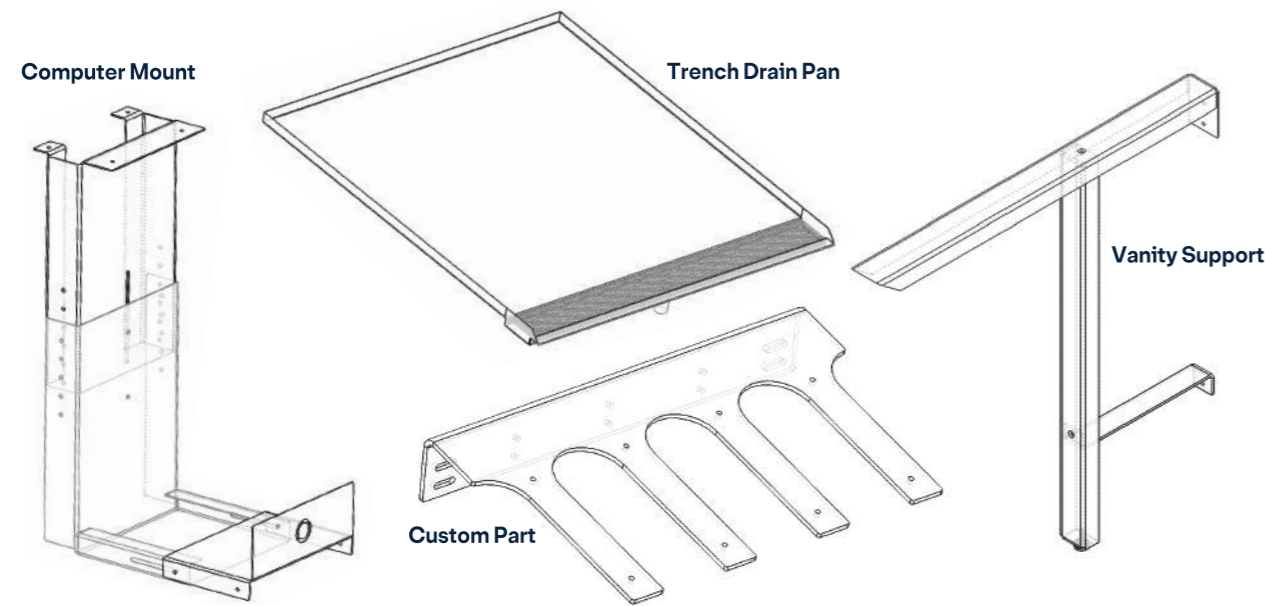


SHORT RUN
P R O



All Short Run Pro parts are 100% Made in the United States.

Short Run Pro provides full service capabilities from web-based engineering drawing services and prototype development to after service medium runs and large production requirements. Short Run Pro acts as the parent company for 3 sizable brands in the metal bracket market: Federal Brace, Killarney Metals, and Oe veo.



Short Run Pro (SRP) originated in 2006, and continues to streamline the custom parts procurement process to this day. Through the development of manufacturing processes, SRP gives buyers access to production capabilities so deep that almost any part is possible. This exclusive process reduces design, pricing and purchasing time while providing customers quality parts made to ISO 9001:2008 certification standards

Scan here to design
a custom part online



How Short Run Pro is Making an Impact



Short Run Pro believe that every giver should know exactly how their donations are used throughout the world. That's why we are a proud supporter of Mite, helping Do Good Globally.

Mite is a nonprofit organization that takes the guesswork out of giving by going above and beyond to help donors know exactly how their money is used. They do this through partnering with trustworthy nonprofit organizations, well-planned projects, and media captured straight from the field.

Since 2017, they have:

- Partnered with over 32 outreach organizations across 25+ countries
- Worked around the globe in over 25 countries
- Raised over \$2M to impact the lives of over 185K people



Be a part of the change at Mite.org

PO Box 1187 Belmont, NC 28012 • 704-709-1061



FEDERAL — B R A C E —

Countertop
Supports



Floating
Shelves



Vanity
Supports



Floating
Shelf Brackets



ADA Compliant
Brackets



Commercial
Products



Bench
Supports



Mantel
Supports



Heavy-Duty, American-Made Support Products

710 E Catawba St, Suite A, Belmont, North Carolina, 28012
704-755-8003 | sales@federalbrace.com

